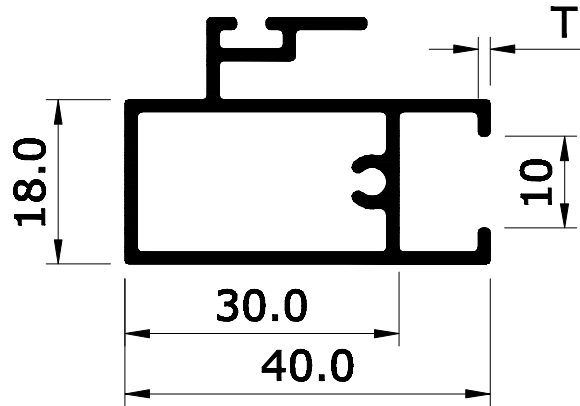
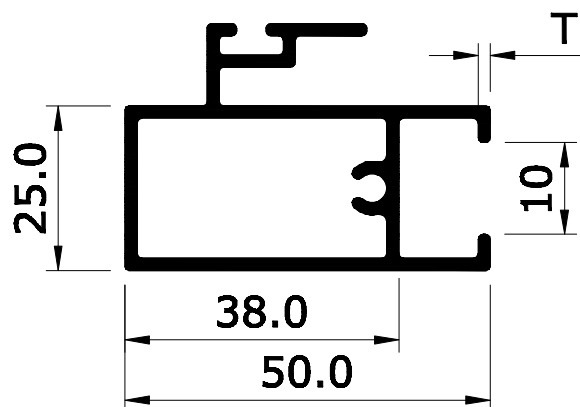


SHUBHLAXMI EXTRUSION PVT.LTD
ARCHITECTURAL
INTER LOCK
SLIDING 18 MM



Sr.No.	Section No.	T	Weight kg/m
1	2001	0.81	0.355
2	2002	0.91	0.400
3	2003	1.10	0.475
4	2004	1.50	0.600

SLIDING 25 MM



Sr.No.	Section No.	T	Weight kg/m
1	2051	1.05	0.600

ALL DIMENSION ARE IN M.M.